

B



博雷(天津)控制系统制造有限公司
BOLLEY(TIANJIN) CONTROL SYSTEM MANUFACTURING CO., LTD.

QT SERIES ELECTRIC
ACTUATORS

QT 系列电动执行器

COMPANY PROFILE

公司简介



博雷（天津）控制系统制造有限公司是一家集工程、阀门生产于一体的企业，引进美国先进阀门制造技术，为客户提供专业的过程自动化及控制设备等解决方案。一直以来稳步发展，经过多年的积累，博雷控制已经迈入了国际化公司的行列。

公司主导产品有闸阀、截止阀、蝶阀、球阀、止回阀、调节阀、减压阀、隔膜阀、旋塞阀、柱塞阀、疏水阀、电站阀、美标阀、水力控制阀等80多种品种、300多个系列、几千种规格。产品采用GB、JB、HG、API、ANSI、DIN、JIS、BS等国内外先进标准设计制造。通径从1/4"至96"（DN6-2400mm）、压力从150LB至2500LB（2MPa-42MPa）、工作温度为-196℃至800℃。主要材料有灰铸铁、球墨铸铁、铜、碳素钢、不锈钢、合金钢、低温钢、铬钼钢、沉淀硬化钢及其他特殊钢材。

我们以卓越的品质和服务取得了全球数以万计的用户的信赖及支持，所涉及的行业包括化工、石化、电力、环境、生物科技、燃气、染料、制药、供热、造纸、建筑食品、有色金属、钢铁以及其他工业领域。

我们重视客户提出的每一个要求，并按照客户提出的要求量身定做，力求为客户提供最好的解决方案，同时也能优化产品性能，客户感到满意与他们保持紧密的合作关系。我们坚持这样做并取得了成功，这是我们发展的动力。自从博雷控制诞生的那一刻起，我们力求每一个环节都做到精益求精，所以我们的质保系统渗透到每一个工序，确保每个员工用到的是最好的零配件，这是我们发展的根本。

为了确保产品质量和满足顾客的要求，我们坚持不断深化内部管理，努力提升全员质量意识，扩大全球营销团队，为国内外客户提供更方便快捷的服务。

**我们力求每一个环节都做到精益求精，
争做控制系统行业之美好明天的领航者！**



Bolley (Tianjin) Control System Manufacturing Co., Ltd. is a collection of engineering control system, valve production in a body's enterprise, introducing the advanced valve manufacturing technology, providing customers with professional solutions for process automation and control equipment, etc. Has been a steady development, after many years of accumulation, Bolley Control has entered the international company.

Company main products are gate valve, globe valve, butterfly valve, ball valve, check valve, regulating valve, relief valve, diaphragm valve, plug valve, plunger valve, steam trap, power station valve, american standard valve, hydraulic control valves, and more than 80 varieties, more than 300 series, thousands of specifications. Product by GB, JB, HG, API, ANSI, DIN, JIS, BS, and domestic and foreign advanced standards. Size from 1/4 "to 96" (DN6-2400mm), pressure from 150LB to 2500LB (2MPa - 42MPa), the working temperature to -196°C to 800°C. The main materials are gray cast iron, nodular cast iron, copper, carbon steel, stainless steel, alloy steel, low temperature steel, chrome molybdenum steel, precipitation hardened steel and other special steel.

With our excellent quality and service has made the world tens of thousands of users trust and support, involved in industries including chemical, petrochemical, electric power, environmental, biological technology, gas, dyestuff, pharmaceutical, heating, papermaking, food, non-ferrous metals, steel and other industrial fields.

We attach importance to the customer request of each, and customized according to customer demand, makes every effort to provide customers with the best solution, but also can optimize product performance, customer satisfaction and their close relations of cooperation. We insist on doing this and has been a success, this is our development power. Since the birth of Bolley control that moment, we strive to do every link strives for perfection, so our quality assurance system to infiltrate every working procedure, to ensure that each employee use is one of the best parts, it is fundamental to our development.

In order to ensure product quality and meet the requirements of customers, we continuously deepen the internal management, efforts to enhance the quality consciousness, expand the global marketing team, to provide more convenient service to customers from home and abroad.

**We Strive To Achieve Excellence In Every Aspect,
To Control System Of Industry Leader A Better Tomorrow!**

QT系列 电动执行器

QT SERIES ELECTRIC ACTUATORS



[Http://www.bolley.cn](http://www.bolley.cn)

QT 系列 电动执行器

QT SERIES ELECTRIC ACTUATORS



01/02

◆ 产品特点 Features

- 设计精巧、性能优越、重量轻、输出扭矩大。
- 外壳内外部经硬氧处理，外部采用环氧树脂+粉末喷涂处理，防腐性能好。
- 产品防护等级达IP67。
- 输出端连接尺寸符合ISO5211国际标准。
- 可换连接轴套，易于加工和安装。
- 双蜗轮蜗杆结构，具有自锁功能；并具有外部可调机械限位。
- 通过手柄，可方便切换电动/手动操作模式，通电后自动复位至电控模式。
- 内置扭矩开关，对电动执行器进行过载保护。并内置热保护器，对电机进行双重保护。
- 大视窗连续阀位指示，更好的观看阀位。
- 多种现场控制单元，根据用户需要提供最佳的性能。
- 可选智能控制单元。

- Exquisite design,excellent performance,light weight and big output torque.
- The inside and outside of closure is treated by hard oxygen,while epoxy resin+powder spraying are adopted for external treatment, which posses good antiseptic performance.
- Protective grade of product is upward of IP67.
- Connection dimension of output end is in accordance with the National Standard ISO5211.
- Connection shaft sleeve can be replaced, and easily processed and installed.
- Double worm wheels structure, which has self-locking function, and is of external adjustable mechanical limit.
- Power-driven/manual operation mode can be changed easily through hand shank,then automatic reset to electronic control after power on.
- Built-in torque switch,and carry out overload protection on electric actuator.Moreover, it embedded thermal protector to carry out dual-protection on electrical machine.
- Indicate the valve position continuously by big window for better viewing.
- Multiple filed control unit,provide the best performance according to the requirement of users.
- Intelligent control unit could be selected.

◆ 标准规格 Standard Specification

外壳 Shell	防水级别 Waterproof level IP67,NEMA4 and 6	
电机电源 Motor power	标准: 220VAC单相 可选: 110VAC单相, 380/440VAC 三相: 50/60Hz, ±10%24VDC/110VDC/220VDC	Standard: 220V AC Single-phase Optional: 110V AC Single-phase,380/440V AC Three-phase,50/60Hz, ±10%24V DC/110V DC/220V DC
电机 Motor	鼠笼式异步电机 Squirrel-cage asynchronous motor	
限位开关 Limit switch	开/关, 各1个 SPDT,250VAC10A Open/close,each 1SPDT,250VAC10A	
辅助限位开关 Auxiliary limit switch	开/关, 各1个 SPDT,250VAC10A Open/close,each 1SPDT,250VAC10A	
行程 Stroke	90° ,±10° (120° ,180° ,270° Optional 可选)	
失速防护/操作温度 Stall protection/operating temperature	内置过热保护, 开115°C ±5°C/关97°C ±5°C Inside overheating protection,open115°C ±5°C/close97°C ±5°C	
指示器 Indicator	连续的位置指示刻度 Continuous position indicator	
手动操作 Manual operate	机械手柄(可选装手轮) Mechanical handle (Handwheel is optional)	
自锁装置 Self-locking device	蜗轮, 螺杆机构提供自锁 Provide self-locking by worm and wormgear	
机械限位 Mechanical limit	2个外部调整螺栓 2 Pieces of external adjustable bolt	
干燥器 Space heater	7-10W(110/220V AC)	
接线孔 Conduit entry	2个PE3/4" 2Pieces of PE3/4"	
环境温度 Ambient temperature	-20°C~+70°C	
润滑 Lubrication	铝基润滑脂(EP型) Aluminum base grease (EP type)	
材料 Material	钢, 铝合金, 铝青铜, 聚碳酸酯 Steel, aluminum alloy,aluminum bronze,polycarbonate	
环境湿度 Ambient humidity	最大90% RH Max 90% RH	非凝结 Non condensation
抗震性能 Anti-vibration performance	XYZ10g,0.2~34Hz,30分钟 XYZ10g,0.2~34Hz,30 Minutes	
外涂层 External coating	干粉, 环氧聚酯 Dry powder,epoxy polyester	

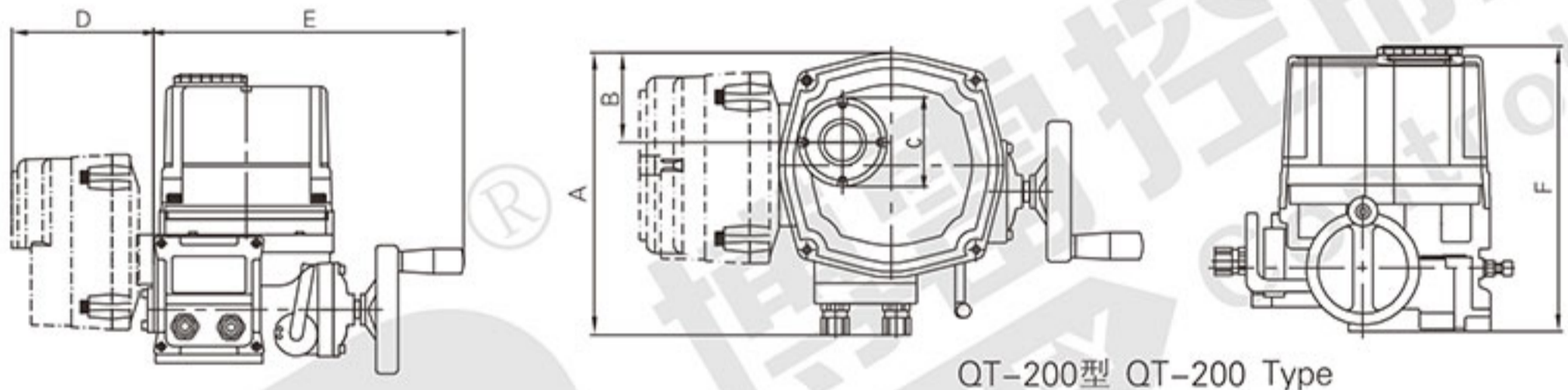
◆ 可选规格 Optional Specifications

编号No.	可选配置 Optional configuration	备注 Remarks
1	防爆执行器(Exd II BT4,Exd II CT 6) Explosion-proof actuator(Exd II BT4,Exd II CT6)	QT系列 QT Series
2	防水执行器(IP68, 10M,250HR) Waterproof actuator(IP68,10M,250HR)	QT系列 QT Series
3	电位计(1K-10K) Potentioneter(1K-10K)	QT系列 QT Series
4	比例控制单元(输入, 输出信号)4-20mA DC/1-5V/1-10V Proportional control unit(Input,output singal)4-20mA DC/1-5V/1-10V)	QT系列 QT Series
5	现场控制单元(就地控制 开/停/关选择开关, 就地/远程切换) Field control unit(local control open/stop/close switch,local/remote control switch)	QT系列 QT Series
6	电流位置传感器(输出4-20mADC) Current position sensor(Output4-20mA DC)	QT系列 QT Series
7	断电后, 电动阀自动开关或关控制柜 After cutting power,the electric valve automatically open or close the control cabinet	QT系列 QT Series
8	耐高温执行器(-10°C~+100°C) High temperature resistant actuator(-10°C~+100°C)	QT系列 QT Series
9	耐低温执行器(-40°C~+70°C) Low temperature resistant actuator(-40°C~+70°C)	QT系列 QT Series
10	低速执行器 Low speed actuator	QT系列 QT Series

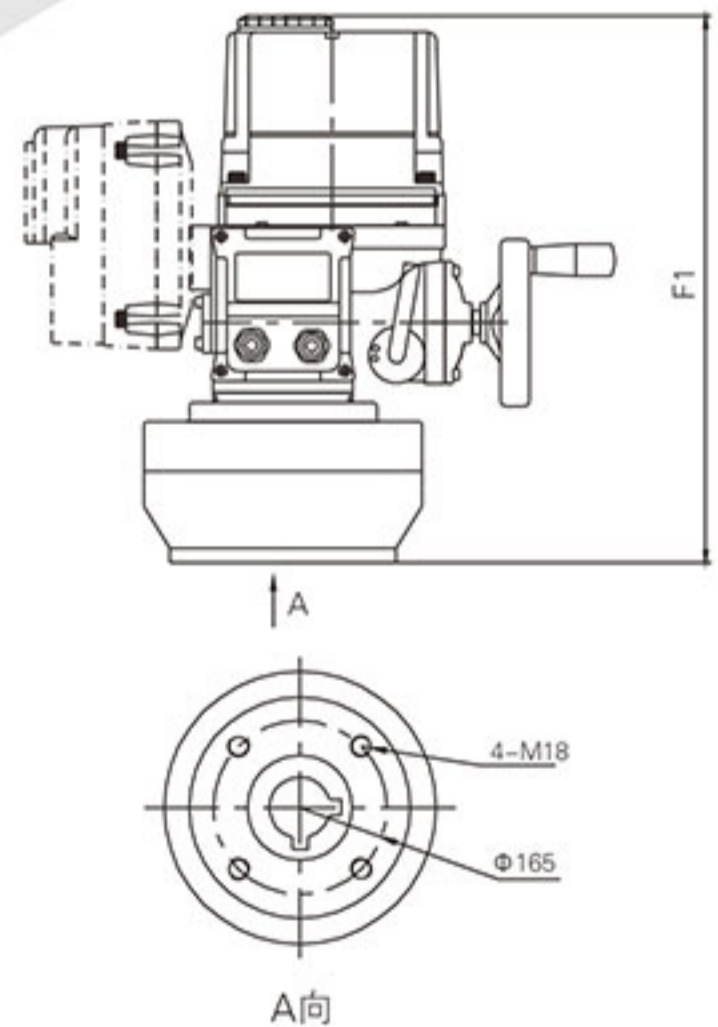
◆ 技术参数及规格 Technical Data and Specifications

型号 Model	最大输出扭矩 Max output torque	90° 动作时间 60/50Hz 90° Operating time 60/50Hz	电机F级 F-class motor	额定电流(A)60/50Hz Rated current(A)60/50Hz		手轮转数 Handwheel rotation	重量 Weight
				单相 Single-phase	三相 Three-phase		
				220V	380V		
QT-010	100	18/22	25	0.38	0.21	9	12
QT-015	150	18/22	40	0.5	0.25	10	13
QT-020	200	20/24	40	0.5	0.25	11	16.8
QT-050	500	25/29	120	0.98	0.52	13.5	21
QT-100	1000	26/33	200	1.74	0.76	16.5	30
QT-200	2000	85/104	200	1.74	0.76	49.5	60

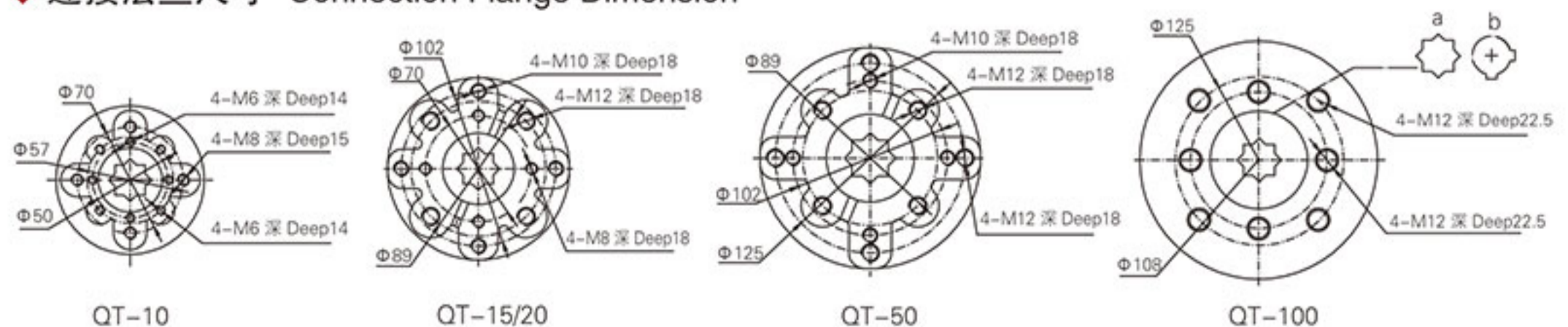
◆ 外形和阀门连接尺寸 Appearance & Connection Dimension



型号 Model	A	B	C	D	E	F	F1	Adapler	
								a	deep
QT-10	223	62	69	136.5	300	265	/	11x11 14x14	35
QT-15	223	62	69	136.5	300	265	/	11x11 14x14	35
QT-20	251	67	101.7	140	329	272.5	/	14x14 17x17 22x22	45
QT-50	275	67	101.7	140	374.5	313	/	14x14 17x17 22x22	50
QT-100	332	80	101.7	140	415	352	/	22x22 27x27	55
QT-200	332	80	101.7	140	415	352	503	36x36	60



◆ 连接法兰尺寸 Connection Flange Dimension



QT 系列 电动执行器

QT SERIES ELECTRIC ACTUATORS



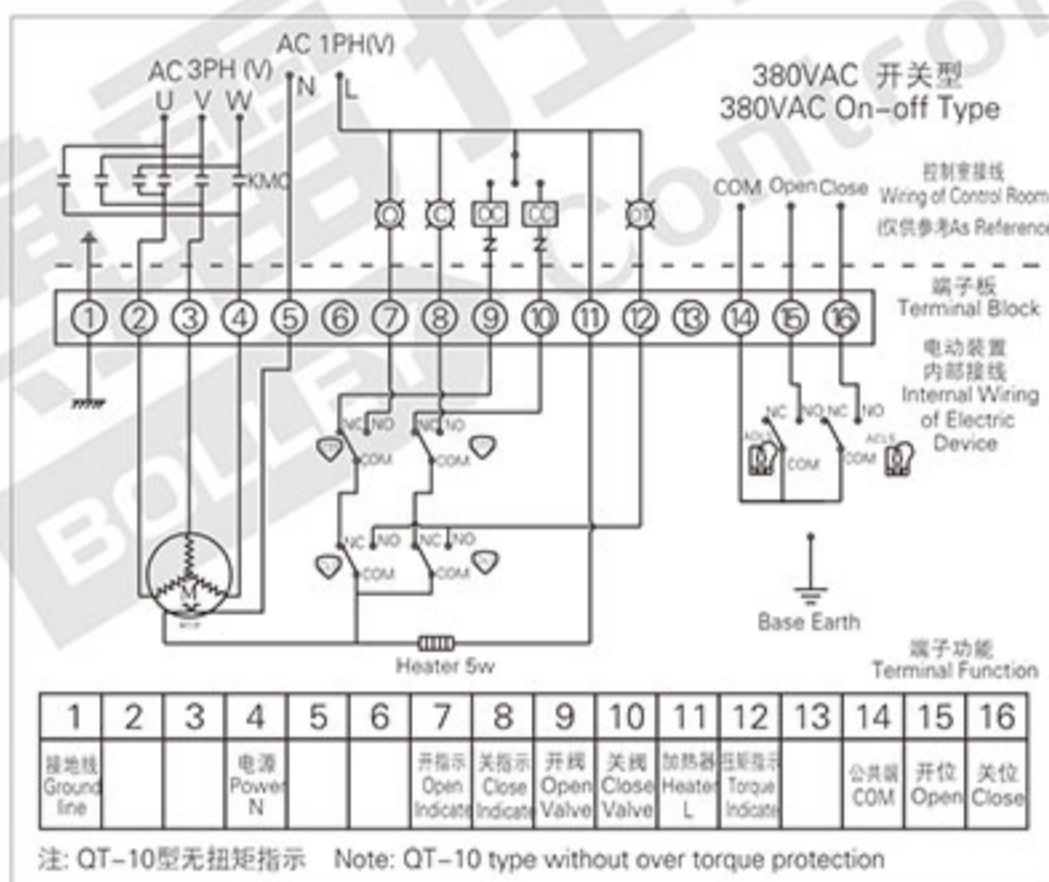
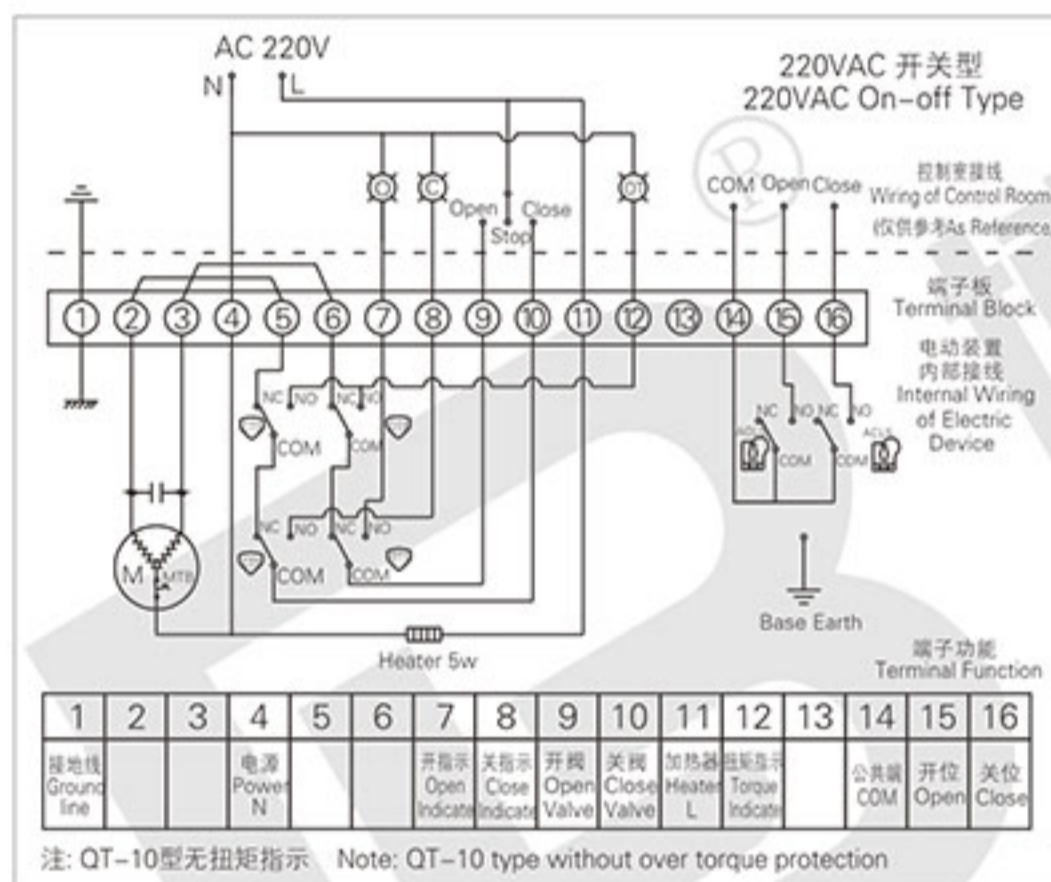
调节型
Modulating type



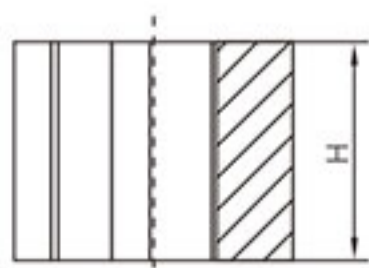
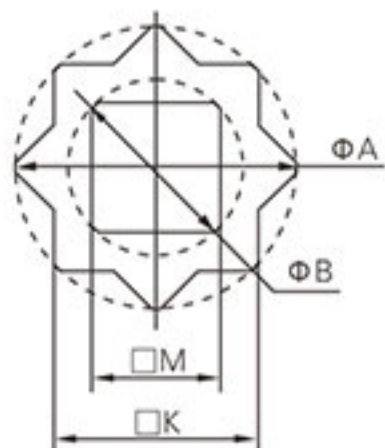
开关型
On-off Type



◆ 接线图 Wiring Diagram



ISO5211 连接盘
ISO5211 Actuator Mounting



八角套
Star Adapter



四方套
Square Adapter

◆ 连接套规格 Adapter Specifications

Type	K	A	M	ΦB	H
11M7	11	15	7	10	12
11M9	11	15	9	12	12
14M9	14	19	9	12	16
14M11	14	19	11	14.8	16
17M11	17	23	11	14.8	19
17M14	17	23	14	19	19
19M11	19	26	11	14.8	21
19M14	19	26	14	19	21
19M17	19	26	17	23	21
22M14	22	30	14	19	24
22M17	22	30	17	23	24
22M19	22	30	19	26	24
27M17	27	37	17	23	29
27M19	27	37	19	26	29
27M22	27	37	22	30.3	29
36M19	36	49	19	26	38
36M22	36	49	22	30.3	38
36M27	36	49	27	37.3	38
46M36	46	60	36	60	48



博雷(天津)控制系统制造有限公司
BOLLEY(TIANJIN) CONTROL SYSTEM MANUFACTURING CO., LTD.

地址(Add) : 天津市东丽区跃进路1199号

电话(Tel) : 022-27575088

传真(Fax) : 022-87880319

Http : //www.bolley.cn

E-mail : cn@bolley.cn